

OPERATION MANUAL

PF-9600 AUTO BLOWER



PASCOM

Contents


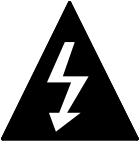

1. Unpacking and Installation	1
2. Features	2
3. Front Panel & Rear Panel Controls	3
4. Applications	4
5. Specifications	5
6. Service	6
7. Warranty	6



Unpacking and Installation

Although it is neither complicated to install nor difficult to operate your set , a few minutes of your time is required to read this manual for a properly wired installation and becoming familiar with its many features and how to use them.

Please take a great care in unpacking our set and do not discard the carton and other packing materials. That may be needed when moving your set and are required if it ever becomes necessary to return your set for service. Never place the unit near radiators, in front of heating vents, excessive humid or dusty location to avoid early damage and for your years quality use. Connect your complementary component as illustrated in the following page.

 <p>CAUTION RISK OF ELECTRIC SHOCK DO NOT OPEN</p>	 <p>This symbol is intended to alert the user to the presence of uninsulated "dangerous voltage" within the product's enclosure that may be of sufficient magnitude to constitute a risk of electric shock to persons.</p>
<p>CAUTION : TO REDUCE THE RISK OF ELECTRIC SHOCK. DO NOT REMOVE COVER (OR BACK). NO USER-SERVICEABLE PARTS IN SIDE. REFER SERVICING TO QUALIFIED SERVICE PERSONNEL.</p>	 <p>This symbol is intended to alert the user to the presence of important operation and maintenance (servicing) instructions in the literature accompanying the appliance.</p>
<p>WARNING To prevent fire or shock hazard, do not expose the unit to rain or moisture.</p>	<p>Caution : To prevent electric shock do not use this (polarized) plug with an extension cord, receptacle or other outlet unless the blades can be fully inserted to prevent blade exposure.</p> <p>Attentions : Pour prevenir les chocs electriques ne pas utiliser cette fiche polarisee avec un prolongateur, une prise de courant on une autre soruie de courant, sauf si les lames peuvent etre inserees a fond sans en laisser aucune partie a decouvert.</p>

Features

- AUTO FAN for PA RACK

Auto fan operates when the inside temperature of PA RACK goes up.

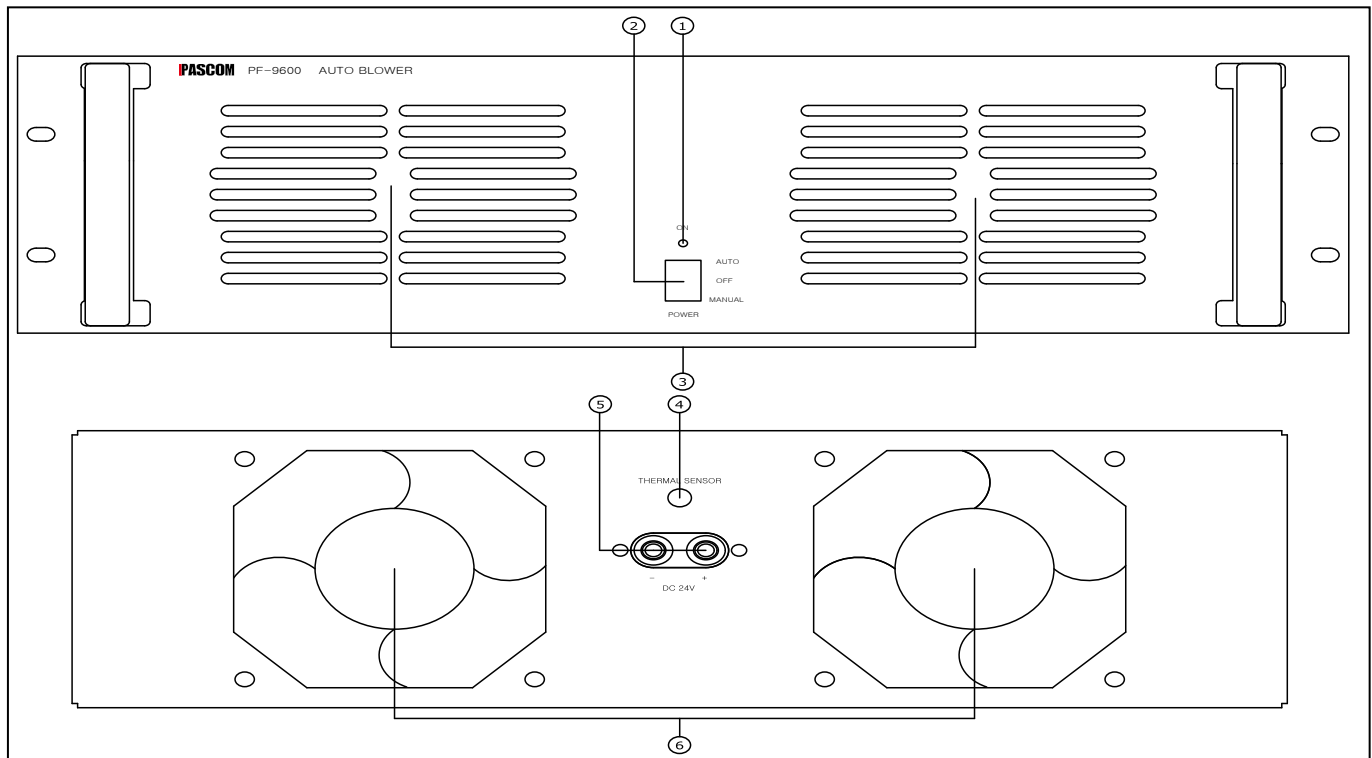
- MANUAL OPERATING

When it's manual mode, the fan operates always regardless of temperature.

- AUTO OPERATING

When it's auto mode, the fan operates at 35°C.

Front Panel & Rear Panel Controls



1. POWER INDICATOR LED

This LED is lighted on when DC power supplied.

2. MODE SELECTOR SWITCH

You can select the operating mode by using this switch. When its OFF mode, the fan operating is stopped. When it's manual mode, the fan operates always regardless of temperature. When it's auto mode, the fan operates automatically at 35°C.

3. AIR FLOW HOLE

During the fan operating, air flows outside of PA RACK through air flow hole.

4. THERMAL SENSOR AND SENSOR HOLE

It detects the inside temperature of PA RACK.

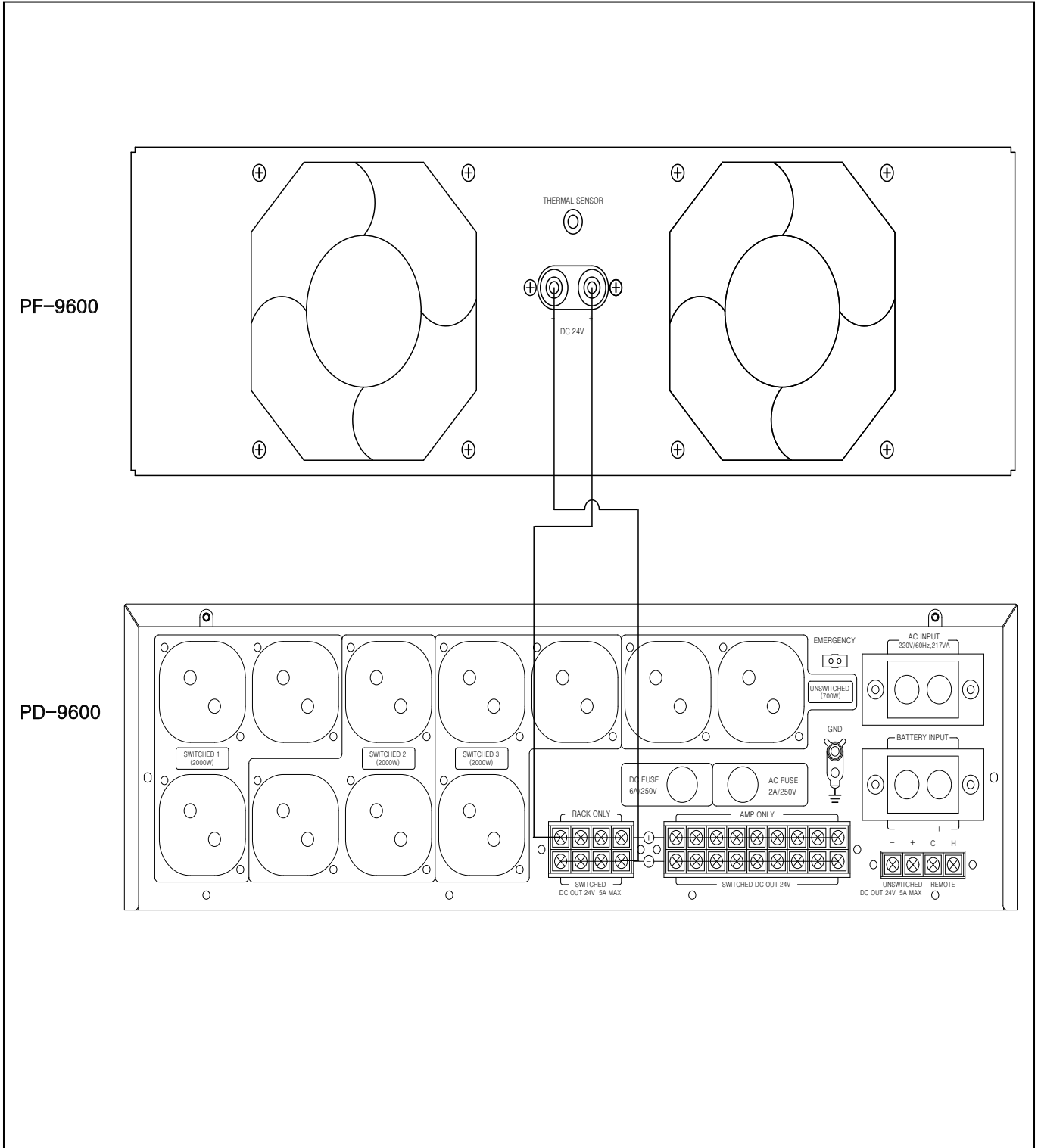
5. DC INPUT TERMINAL

It is connected to DC+24V.

6. FAN

Refer to the features of fan.

Applications



Specifications

- ELECTRICAL

Operating Mode OFF, MANUAL, AUTO

Operating Temperature at Auto Mode 38°C

- FAN FEATURES

Current Max 240mA

Operating Speed 2600RPM

Air Flow Max.2.33 m³/min

Sound Noise 40dBA

- GENERAL

Power Source DC +24V

Dimensions 482(W) × 132(H) × 39(D)mm

Weight 1.4Kg

NOTE: Specifications and design subject to change without notice for improvement.

Service

Procedures

Ensure the problem is not related to operator error, or system devices that are external to this unit. Information provided in the troubleshooting portion of this manual may help with this process. Once it is certain that the problem is related to the product contact your warranty provider as described in the warranty section of this manual.

Schematic

A Schematic is available by contacting your warranty provider.

Parts List

A Parts List is available by contacting your warranty provider.

Warranty

Warranty terms and conditions vary by country and may not be the same for all products. Terms and conditions of warranty for a given product may be determined first by locating the appropriate country which the product was purchased in, then by locating the product type. To obtain specific warranty information and available service locations contact PASCOM directly in Korea or the authorized PASCOM Distributor for your specific country or region.

I PASCOM